
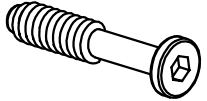
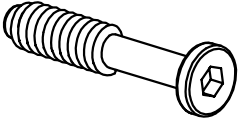

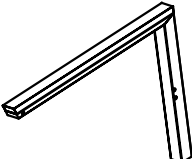
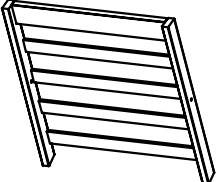
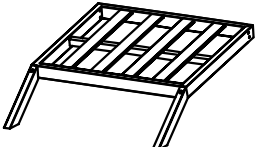
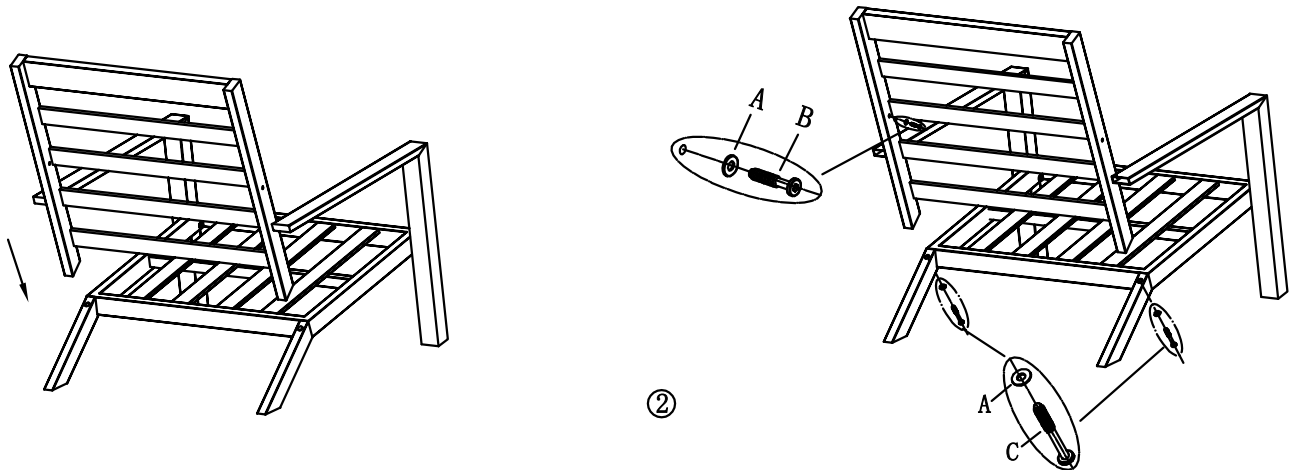
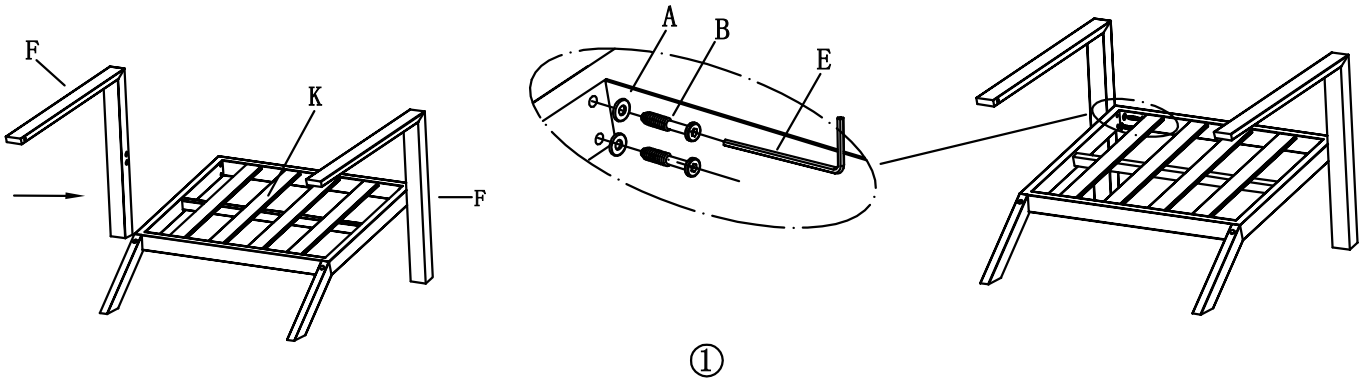
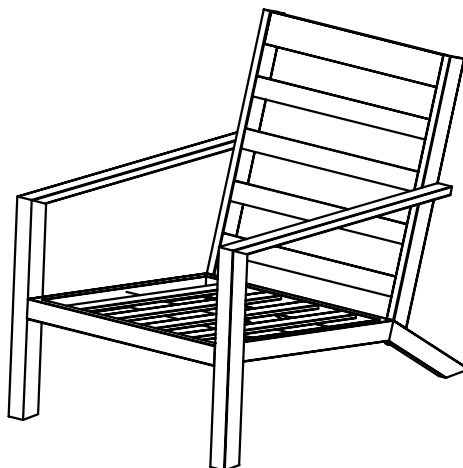


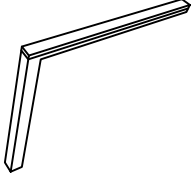
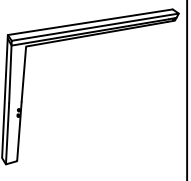
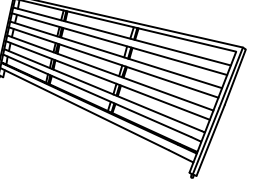
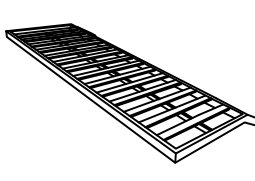
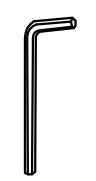


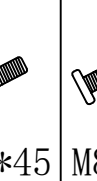
Assembly Instruction

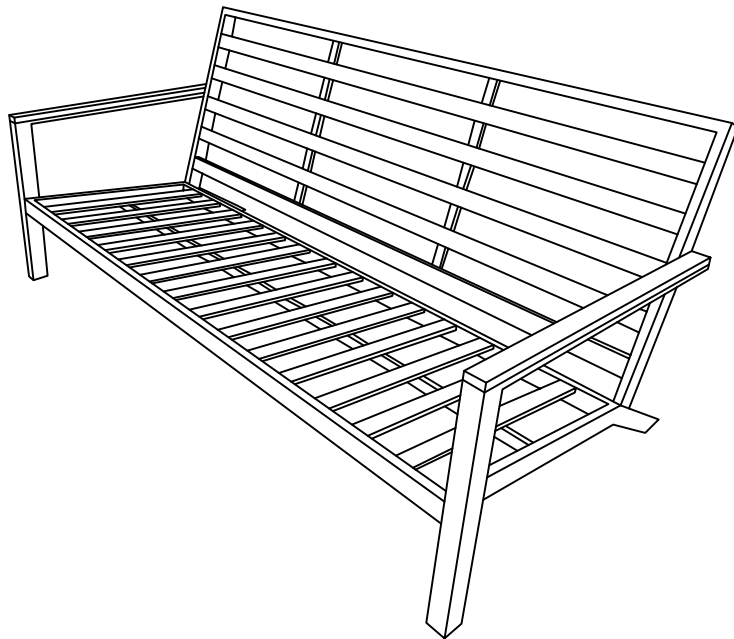
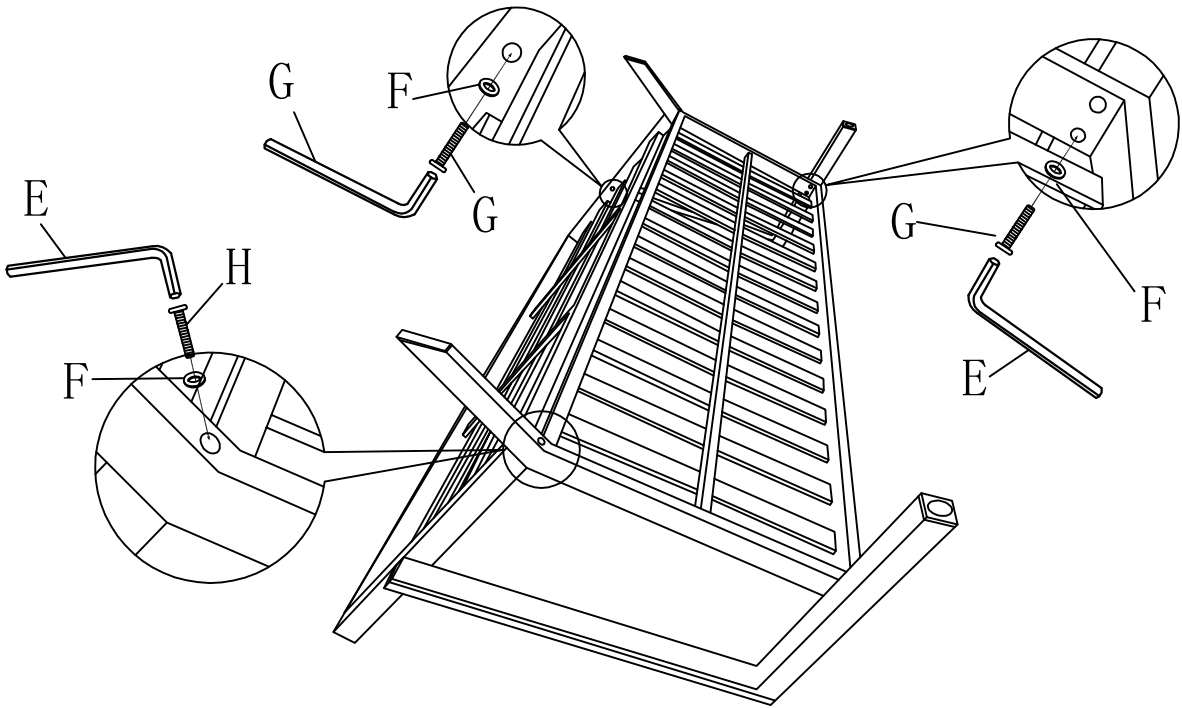
	A		B		C		E
∅8*17*1.5	8PCS	1/4*45mm	6PCS	M8*65mm	2PCS	4mm	1PC
	F		G				K
	2PCS		1PC				1PC



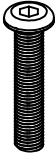


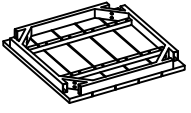
③

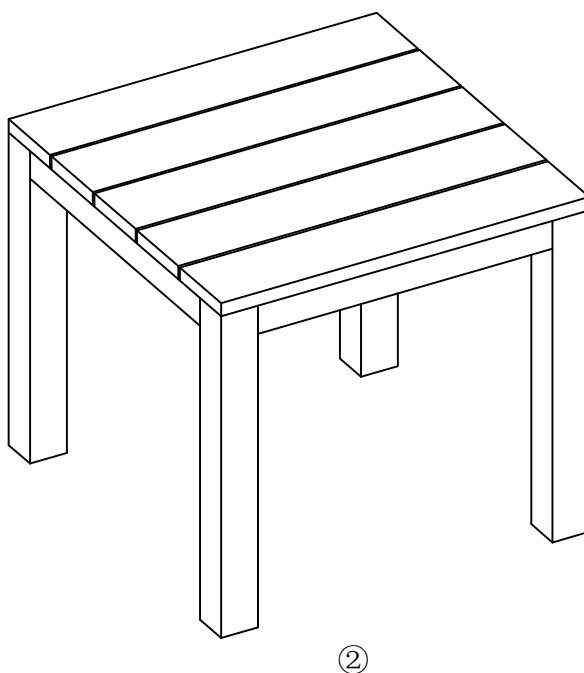
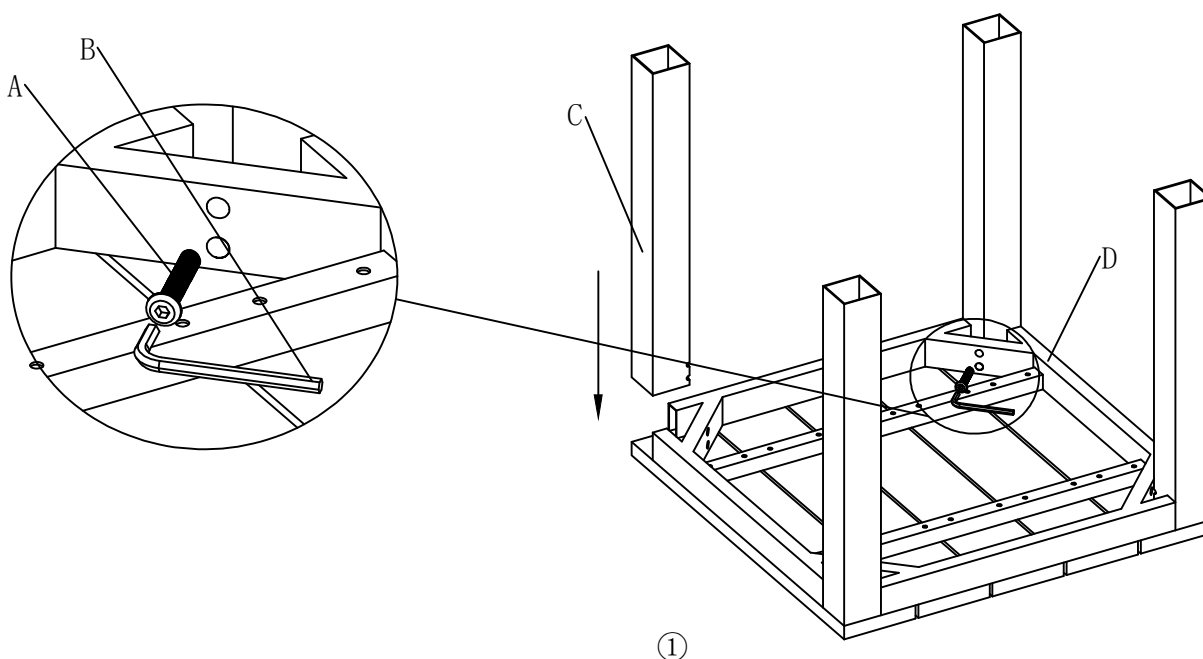






A	B	C	D	E	F	G	H
					 φ17*φ8*1.5	 1/4*45	 M8*65
1PC	1PC	1PC	1PC	1PC	8PCS	6PCS	2PCS



Assembly Instruction

A	 1/4*40mm	8PCS	B	 4mm	1PCS	C		4PCS
D		1PCS						



A	B	C	D
			 1/4*40
1PC	4PCS	1PC	8PCS

