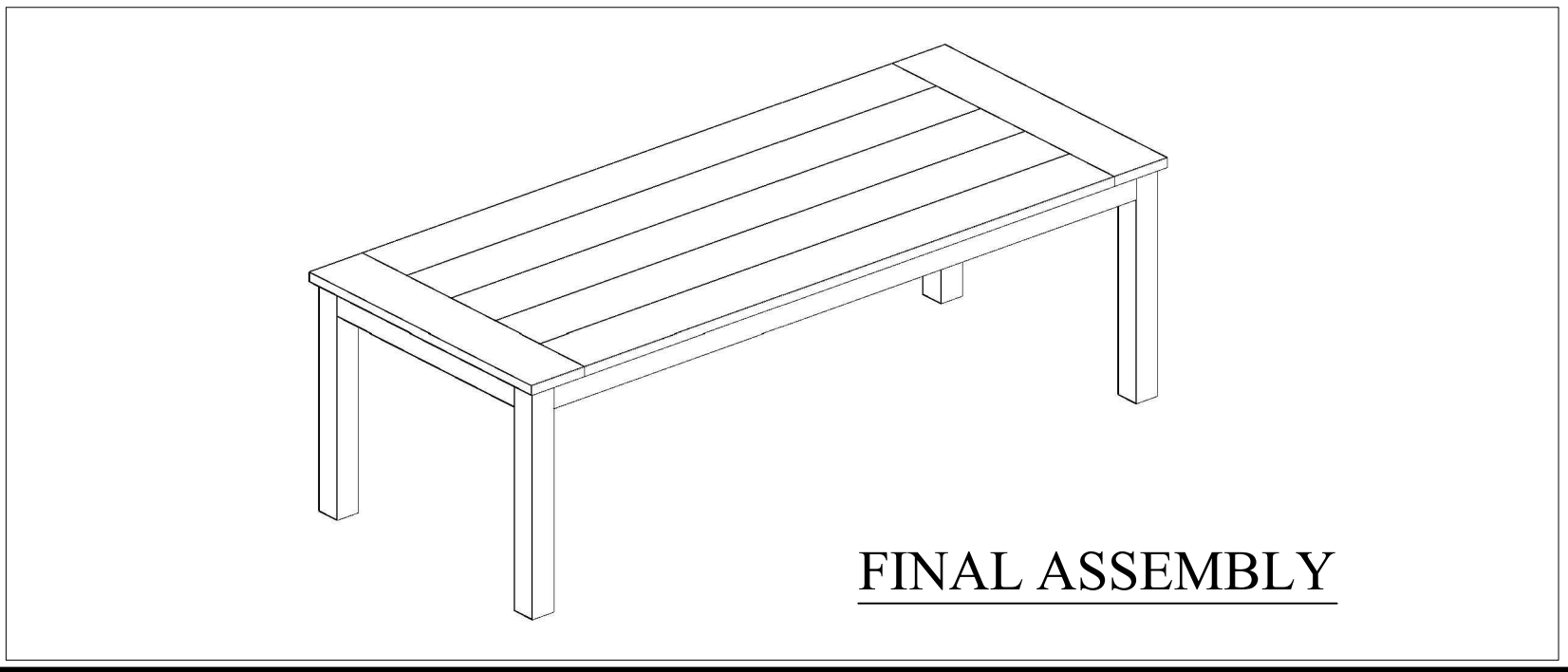
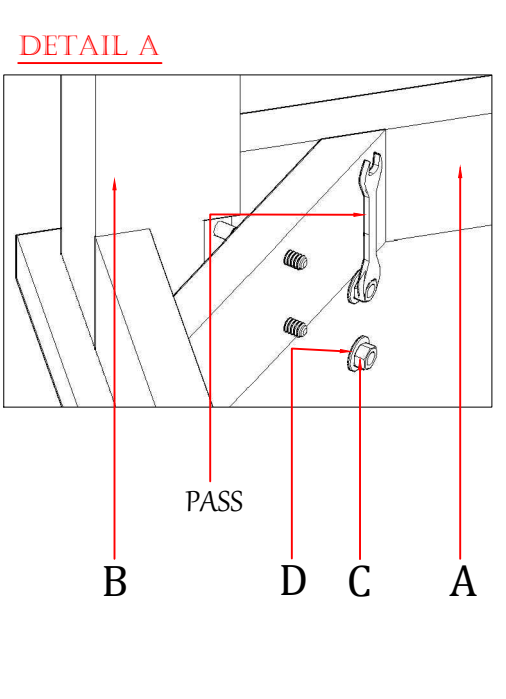


ASSEMBLY INSTRUCTION



PART	QTY	COMPONENT
A	1	TOP
B	4	LEG
C	8	BOLT
D	8	RING